



The Next Generation of Digital Mixing Valve Solutions



ASSE 1017 | NSF 372 COMPLIANT
Proudly Assembled in the USA

1360 Elmwood Avenue, Cranston, RI 02910
TF: 800.222.1208 | P: 401.461.1200 | F: 401.941.5310
www.leonardvalve.com

WATER TEMPERATURE SOLUTIONS START WITH LEONARD

-  Self-balancing
-  Daily self-cleaning feature
-  ± 2 °F temperature accuracy
-  Integral check valves available
-  Flow rates ideal for small to mid-sized design projects
-  Self-diagnostic
-  Digital electronic control with 2-line LCD display
-  Programmable temperature setpoint
-  Easy setup/easy error coding
-  Upon power failure, holds last set temperature to avoid thermal shock

PROTON SERIES: MODEL FEATURES GUIDE

	Proton 1.0	Proton 2.0	Proton 2.5	Proton 3.0
Simple and intuitive user commissioning and setup	●	●	●	●
Alarms for when unit maintenance is required	●	●	●	●
User programmable set point range between 65 °F and 180 °F	●	●	●	●
Automatic hot/cold water shutoff upon cold/hot water inlet supply failure	●	●	●	●
Valve controls at time of no use: 0.0 GPM*	●	●	●	●
Single valves available in 1" to 3" valve outlet sizes	●	●	●	●
Manifold assemblies available in up to 6" valve outlet sizes	●	●	●	●
Enhanced controller with programmable disinfection mode		●	●	●
Enhanced controller with BACnet MS/TP connection			●	●
Enhanced controller with Wi-Fi				●
Three additional temperature probes (inlet hot, inlet cold, return temp.)		+	+	●
Five relay contacts that switch on during alarm states		+	+	●
Remote alerts to assist Maintenance and Service Personnel		+	+	●
Loss of power alert		+	+	●
Broken temperature probe alert		+	+	●
"Out of range" temperature alert (± 10 °F)		+	+	●
Motor connectivity and operation alert		+	+	●
Service required @90% full shuttle movement alert		+	+	●

*When properly installed near the hot water source with a continuously operating recirculation pump

● Standard
+ Optional



Big Digital Performance

Available in:

- 3/4" Inlet - 1" outlet valve assembly
- 1" Inlet - 1 1/4" outlet valve assembly
- 1 1/4" Inlet - 1 1/2" outlet valve assembly
- 2" Inlet - 2" outlet valve assembly
- 3" Inlet - 3" outlet valve assembly



In stock and available now

Additional sizes available

Control box also for use with
The Neutron/ENV-6100-LF

Options:

- ✓ BPS | Backup Power Supply: Up to 2 hours of uninterrupted run time
- ✓ LC | Less Circulator (Only available for Megatron configurations)
- ✓ 150, 200, and 300 models available with or without servicable check/stop valves
- ✓ All assemblies available with optional bronze ball valves
- ✓ All assemblies available with any Proton Series control box

Flows & Capacities

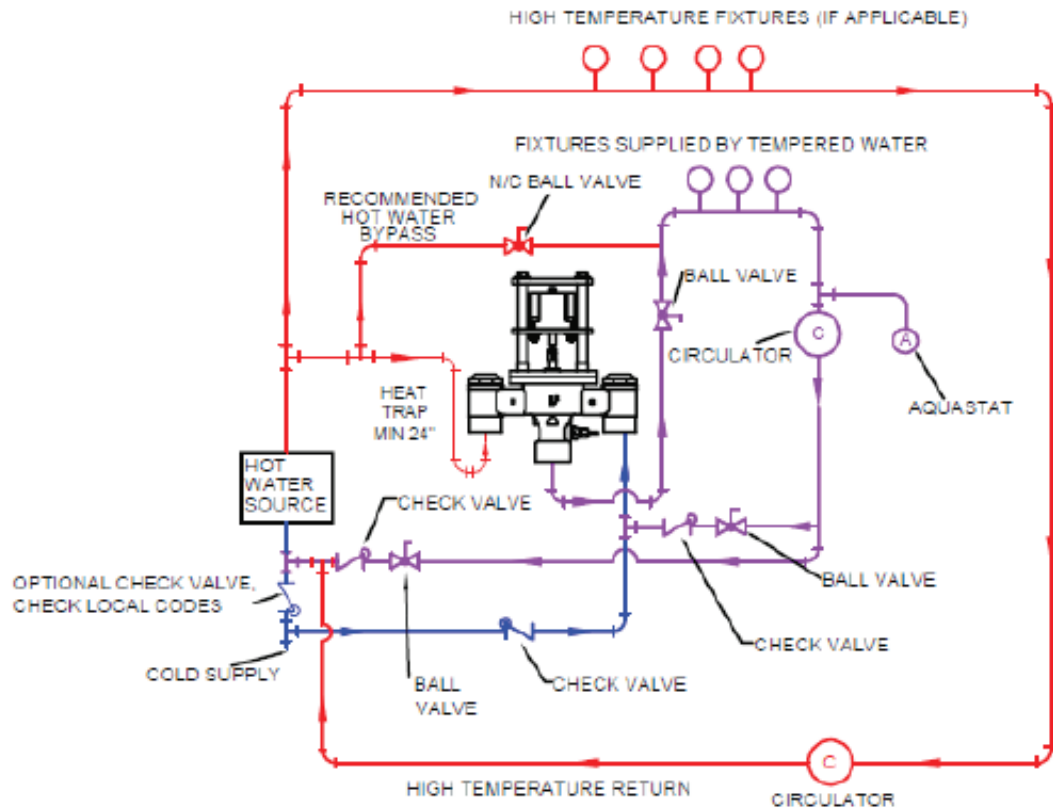
MODEL	IN	OUT	MIN. FLOW GPM	PRESSURE DROP											PSI
				5	10	15	20	25	30	35	40	45	50		
				L/MIN	0.3	0.7	0.97	1.4	1.7	2.1	2.4	2.8	3.1	3.4	
PNV-100-LF	3/4" 19.1 mm	1" 25.4 mm	0.25*	17	25	28	32	36	39	43	45	48	51	GPM	
			0.95*	64	95	106	121	136	148	163	170	182	193	L/MIN	
PNV-125-LF	1" 25.4 mm	1-1/4" 31.6 mm	0.25*	40	56	66	77	86	95	104	109	114	120	GPM	
			0.95*	151	212	250	291	326	360	394	413	432	454	L/MIN	
PNV-150-LF	1-1/4" 31.6 mm	1-1/2" 38.1 mm	0.25*	50	72	86	100	115	122	136	140	158	165	GPM	
			0.95*	189	273	326	379	435	462	515	530	598	625	L/MIN	
PNV-200-LF	2" 50.8 mm	2" 50.8 mm	0.25*	80	115	130	147	165	173	189	198	215	226	GPM	
			0.95*	303	435	492	556	625	655	715	750	814	856	L/MIN	
PNV-300-LF	3" 76.2 mm	3" 76.2 mm	0.25*	97	135	163	191	213	235	262	288	296	303	GPM	
			0.95*	366	510	616	722	805	888	990	1089	1119	1145	L/MIN	
PNV-150-LF-2PS	2" 50.8 mm	3" 76.2 mm	0.25*	100	144	177	200	222	244	262	280	305	330	GPM	
			0.95*	378	544	669	758	839	922	990	1058	1153	1247	L/MIN	
PNV-200-LF-2PS	3" 76.2 mm	4" 102 mm	0.25*	160	230	262	294	320	346	371	396	424	451	GPM	
			0.95*	605	896	990	1111	1210	1308	1402	1497	1603	1709	L/MIN	
PNV-300-LF-2PS	4" 102mm	5" 127 mm	0.25*	194	270	326	382	432	470	523	576	596	606	GPM	
			0.95*	733	1021	1232	1444	1633	1777	1977	2177	2253	2291	L/MIN	
PNV-200-LF-3PS	4" 102 mm	4" 102 mm	0.25*	240	345	390	441	495	519	567	594	645	678	GPM	
			0.95*	908	1306	1476	1669	1874	1965	2146	2249	2442	2567	L/MIN	
PNV-300-LF-3PS	5" 127 mm	6" 152 mm	0.25*	291	405	489	573	639	705	785	864	887	909	GPM	
			0.95*	1100	1531	1848	2166	2415	2665	2967	3266	3353	3436	L/MIN	

VALVE ASSEMBLY(S) ARE ASSE STANDARD 1017 LISTED
ALL VALVES ASSEMBLY(S) ARE 3RD PARTY CERTIFIED TO BE LEAD-FREE

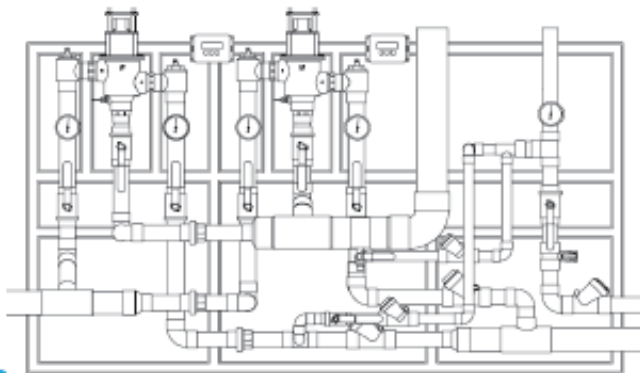
*WHEN INSTALLED NEAR HOT WATER SOURCE AND WITH A PROPERLY SIZED, CONTINUOUSLY OPERATING RECIRCULATION PUMP

MAXIMUM FLOW CAPACITY

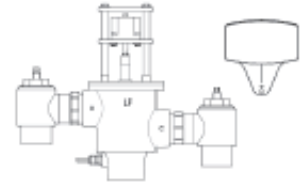
Leonard Digital Valves use Piping Method "W-D", an economical and environmentally friendly recirculation loop



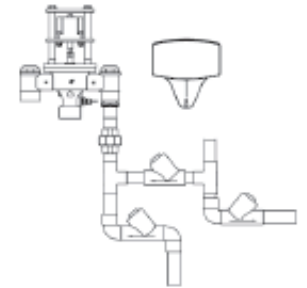
Megatron-PNV-200-2PS-LF-LC
Proton Megatron



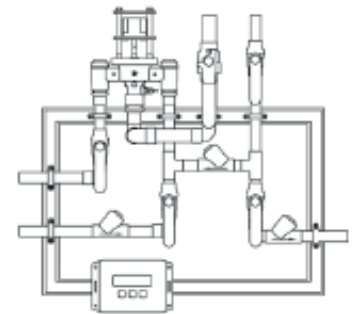
PNV-200-LF
Base Valve Only



PNV-125-LF-R
Simple Recirculation



PNV-100-LF-R34
Enhanced Recirculation



Scan to download
specifications

